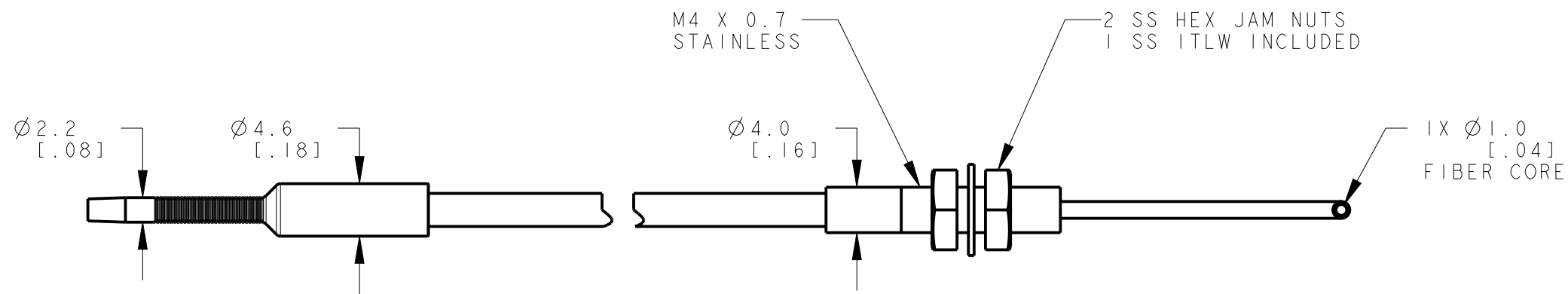
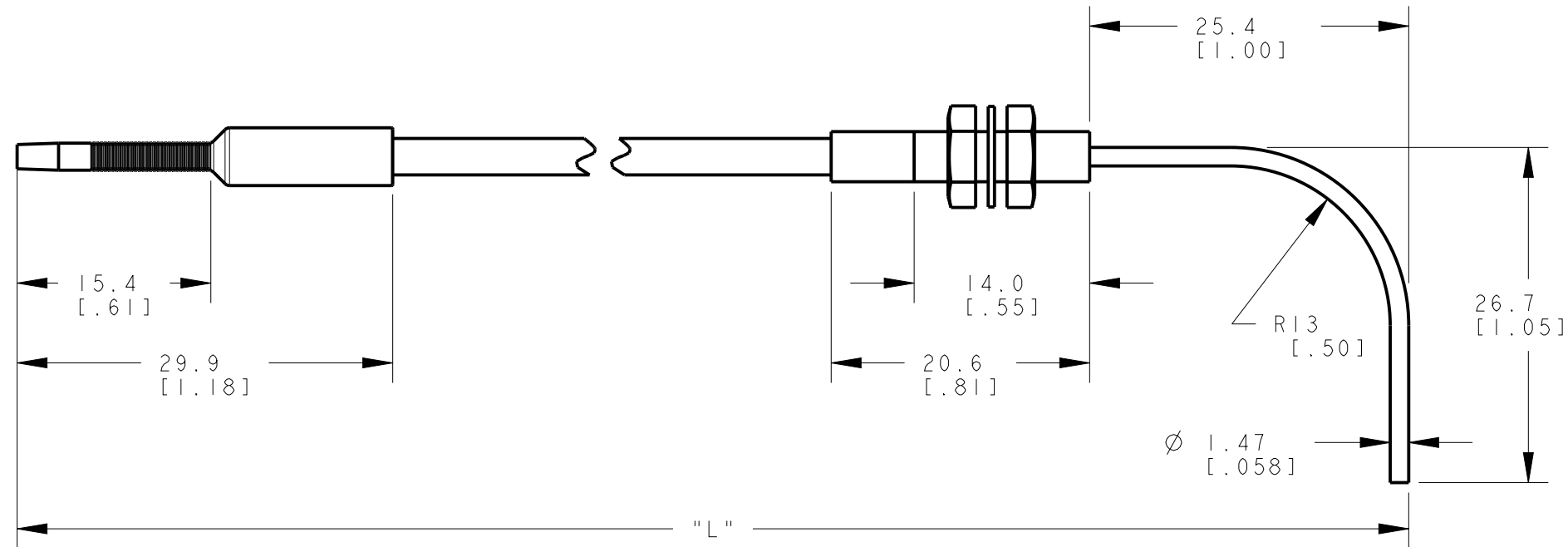


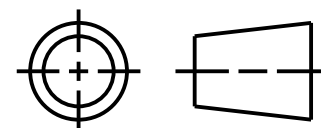
MODEL NO.	"L"	P/N
PITA43TMB5	1000 [.39]	70889
PITA46TMB5	2000 [.79]	70890



NOTES:
 1. ALL DIMENSIONS ARE MILLIMETERS [INCHES] UNLESS OTHERWISE NOTED.
 2. REFER TO "www.bannerengineering.com" FOR ADDITIONAL DATA AND SPECIFICATIONS.

This drawing is the property of BANNER ENGINEERING CORP. Any use or reproduction, in any form, without prior written permission of Banner is prohibited.
 © 2015 Banner Engineering Corp.

THIRD ANGLE PROJECTION



		BANNER ENGINEERING CORP. www.bannerengineering.com	
TITLE			
PITA4 STEEL SKIN SERIES TERMINATED			
SIZE B	DRAWING NO. 192789	REV. A	
SCALE 2:1		SHEET 1 OF 1	

CREO