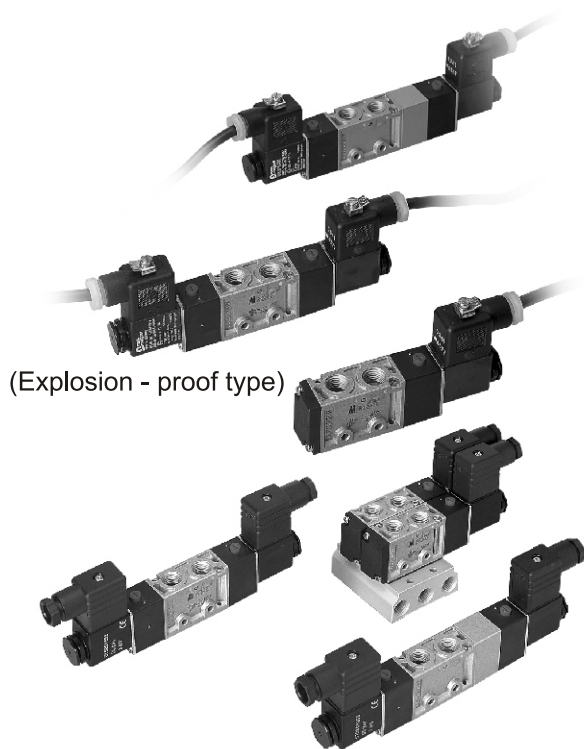


MVSC-220 series

SOLENOID VALVE

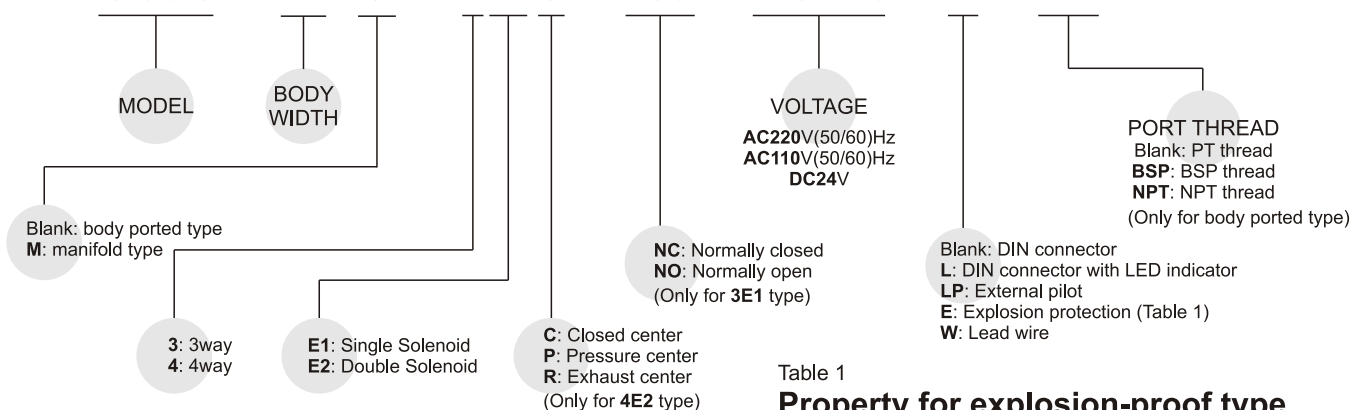


Specification:

Model	MVSC-220-3E1,E2	MVSC-220-4E1,E2	MVSC-220-4E2C.P.R		
Bore No.	8A				
Port size	PT 1/4				
No. of port	3	5			
No. of position	2	2	3		
Medium	Air				
Operating pressure range	2~7 kgf/cm ²		3~7 kgf/cm ²		
Proof pressure	10 kgf/cm ²				
Effective orifice	18 mm ²		16 mm ²		
Response time	30 ms		40 ms		
Ambient temperature	-5~+50°C (No freezing)				
Voltage	AC110V, 220V (50/60)Hz, DC24V				
Power consumption	AC=6/4.9VA, DC=2.5W				
Available voltage range	±10%				
Insulation class	F class				
Weight	203 g	296 g	184 g	292 g	338 g

Order example of valve:

MVSC - 220M - 4E2C - NC - AC110 - L - BSP



Order example of manifold:

MVSC - 220M - 5M3 - BSP

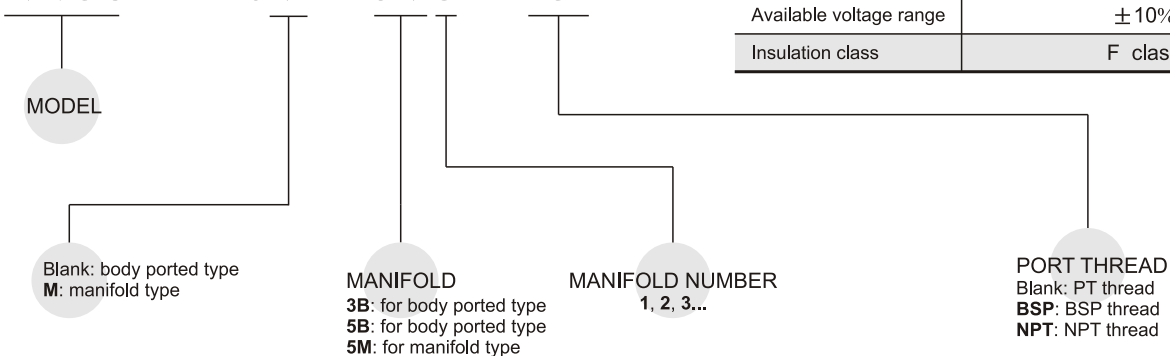


Table 1

Property for explosion-proof type

Anti-explosion class	EEx m II T4
Voltage	AC110V, 220V, (50/60)Hz, DC24V.
Power consumption	AC=4.4VA DC=5W
Available voltage range	±10%
Insulation class	F class

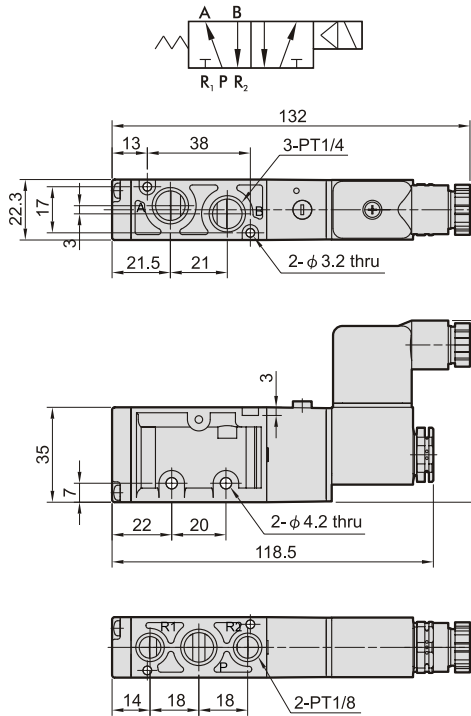
MVSC-220

SOLENOID VALVE

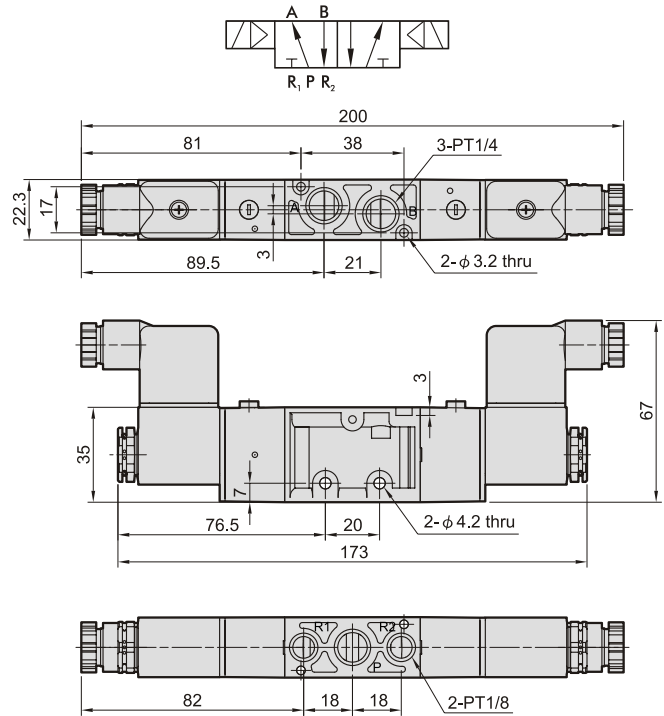


Dimensions:

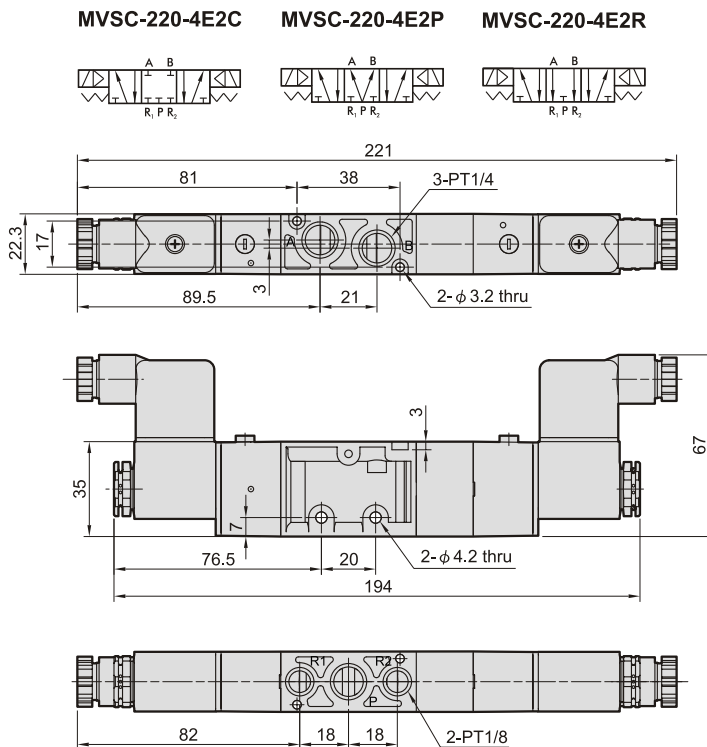
MVSC-220-4E1



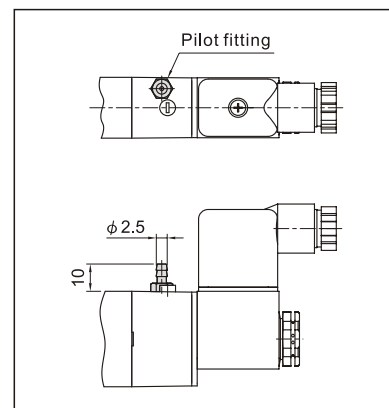
MVSC-220-4E2



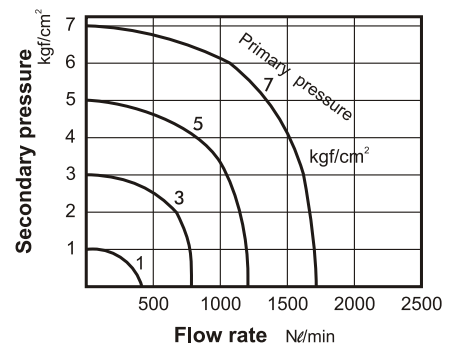
MVSC-220-4E2C.PR



LP



Flow features:



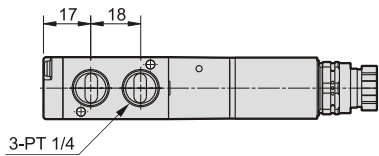
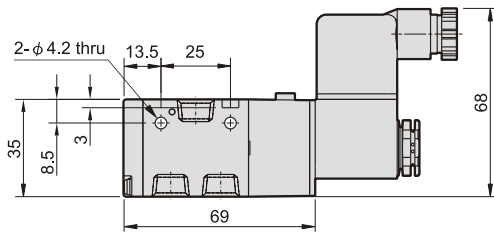
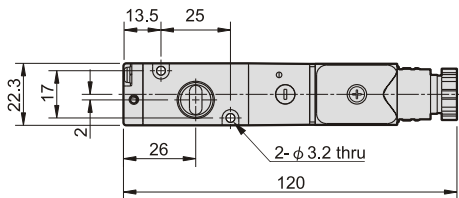
MVSC-220

SOLENOID VALVE

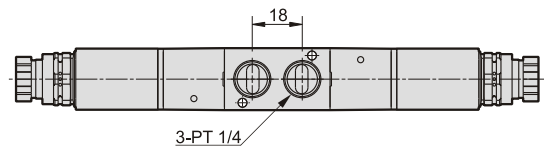
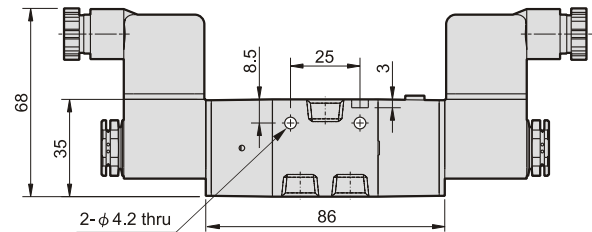
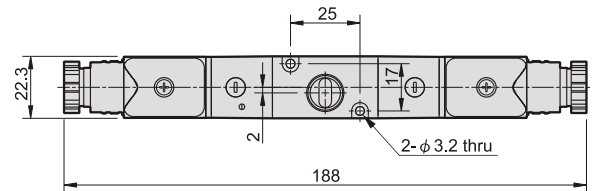


Dimensions:

MVSC-220-3E1-NC/NO

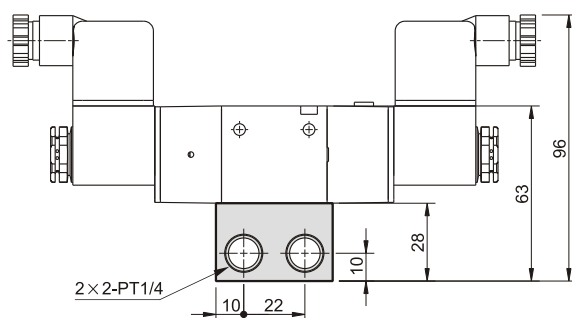
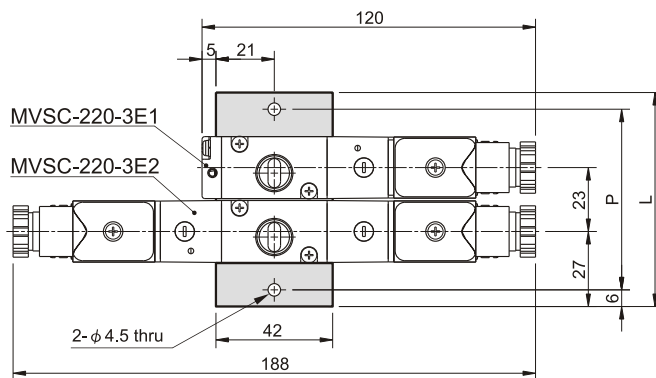


MVSC-220-3E2



Manifold of solenoid valve

MVSC-220-3B*



No. of stations	P	L
2	65	77
3	88	100
4	111	123
5	134	146
6	157	169
7	180	192
8	203	215
9	226	238
10	249	261

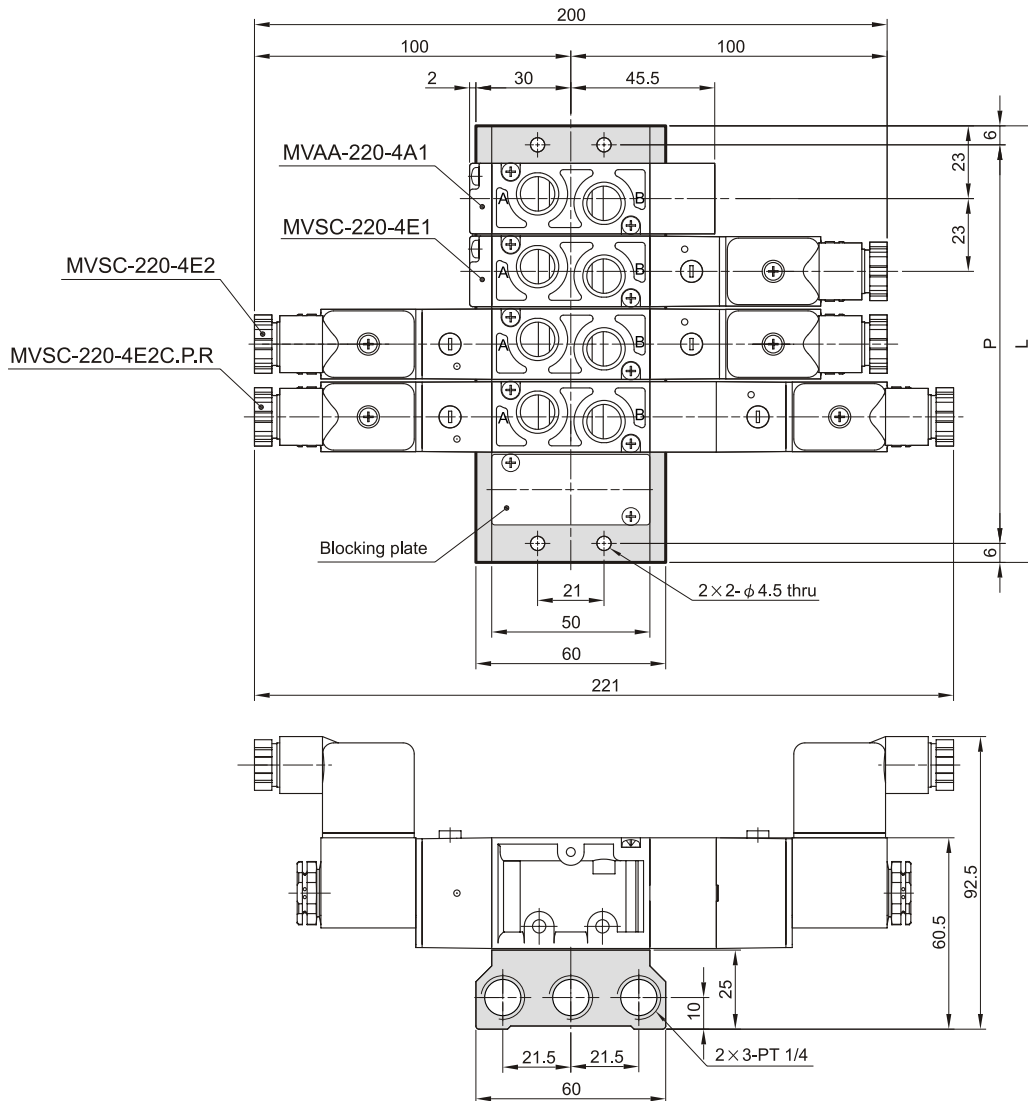
MVSC-220

SOLENOID VALVE



Manifold of solenoid valve:

MVSC-220-5B*



No. of stations	P	L
2	57	69
3	80	92
4	103	115
5	126	138
6	149	161
7	172	184
8	195	207
9	218	230
10	241	253

