
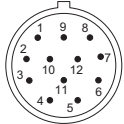
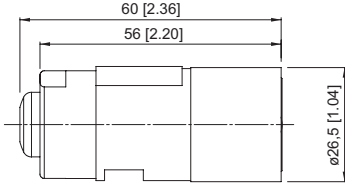

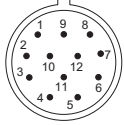
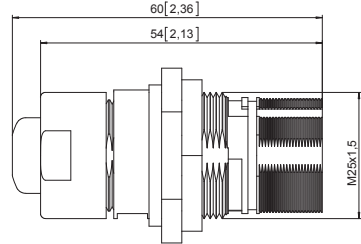


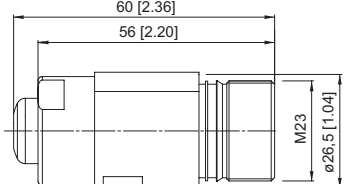


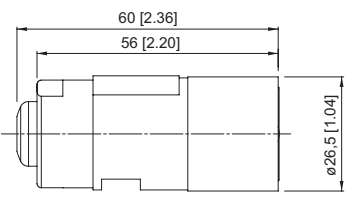




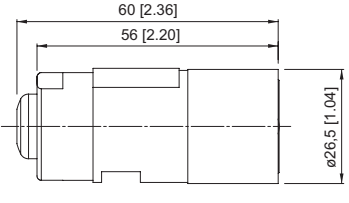
Connection technology

M23 connection technology		Connectors, self-assembly		Order no.
12 pin				
<p>Male connector with external thread pin assignment ccw</p> <p>Housing: metal, IP67</p> 	<p>solder connections, for cable \varnothing 5.5 ... 10.5 mm [0.22 ... 0.41"]</p>  	<p>suitable for:</p> <p>versions with cable outlet</p>	<p>8.0000.5015.0001</p>	
<p>Male connector with external thread pin assignment ccw central fastening</p> <p>Housing: metal, IP67</p> 	<p>solder connections, for cable \varnothing 5.5 ... 10.5 mm [0.22 ... 0.41"]</p>  	<p>suitable for:</p> <p>versions with cable outlet</p>	<p>8.0000.5015.0000</p>	
<p>Female connector with coupling nut pin socket assignment cw</p> <p>Housing: metal, IP67</p> 	<p>solder connections, for cable \varnothing 5.5 ... 10.5 mm [0.22 ... 0.41"]</p>  	<p>suitable for:</p> <ul style="list-style-type: none"> 5000 / 5020 580X / 582X 5814 / 5834 5814FSx / 5834FSx F5863 / F5883 585x / 587x 5853FSx / 5873FSx 586x / 588x 5863FSx / 5883FSx 9000 908x A02x 	<p>8.0000.5012.0000</p>	

Connection technology

M23 connection technology Connectors, self-assembly

12 pin			Order no.														
<p>Female connector with coupling nut pin socket assignment cw (EX zone 2/22 on request)</p> <p>Housing: metal, IP67</p> 	<p>solder connections, for cable \varnothing 5.5 ... 10.5 mm [0.22 ... 0.41"]</p>  	<p>suitable for:</p> <table border="0"> <tr> <td>5000 / 5020</td> <td>580X / 582X</td> </tr> <tr> <td>5814 / 5834</td> <td>5814FSx / 5834FSx</td> </tr> <tr> <td>F5863 / F5883</td> <td></td> </tr> <tr> <td>585X / 587X</td> <td>5853FSx / 5873FSx</td> </tr> <tr> <td>586X / 588X</td> <td>5863FSx / 5883FSx</td> </tr> <tr> <td>9000</td> <td>908X</td> </tr> <tr> <td>A02X</td> <td></td> </tr> </table>	5000 / 5020	580X / 582X	5814 / 5834	5814FSx / 5834FSx	F5863 / F5883		585X / 587X	5853FSx / 5873FSx	586X / 588X	5863FSx / 5883FSx	9000	908X	A02X		<p>8.0000.5012.0000.Ex</p>
5000 / 5020	580X / 582X																
5814 / 5834	5814FSx / 5834FSx																
F5863 / F5883																	
585X / 587X	5853FSx / 5873FSx																
586X / 588X	5863FSx / 5883FSx																
9000	908X																
A02X																	

17 pin			Order no.				
<p>Female connector with coupling nut pin socket assignment ccw</p> <p>Housing: metal, IP67</p> 	<p>solder connections, for cable \varnothing 5.5 ... 10.5 mm [0.22 ... 0.41"]</p>  	<p>suitable for:</p> <table border="0"> <tr> <td>5850 / 5870</td> <td></td> </tr> <tr> <td>5852 / 5872</td> <td></td> </tr> </table>	5850 / 5870		5852 / 5872		<p>8.0000.5042.0000</p>
5850 / 5870							
5852 / 5872							

Connection technology

M23 connection technology Cordsets, pre-assembled

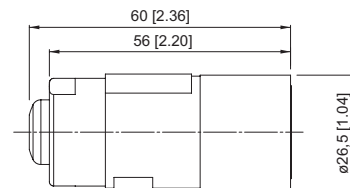
With connector, 12 pin Working temp. -30°C ... +80°C [-22°F ... +176°F] Order no.

Female connector with coupling nut + single-ended

Cable: PVC, 6 x 2 x 0.14 mm² [AWG25]
Housing: metal, IP67



pin socket assignment cw



suitable for our series with RS422 or SinCos output:

5000 / 5020 5803 / 5823
5804 / 5824 5805 / 5825
5814 / 5834 5814FSx / 5834FSx
A020 / A02H H120

Terminal assignment

Pin female contacts:	1	2	3	4	5	6	7	8	9	10	11	12	PH ²⁾
Wire colour:	PK	RD-BU	BU	RD	GN	YE	-	GY	-	WH	GY-PK	BN	PH ²⁾

Cable length¹⁾

2 m [6.56']
5 m [16.40']
10 m [32.81']
15 m [49.21']

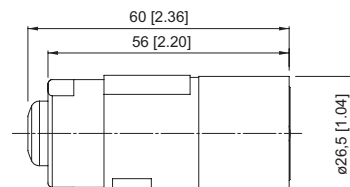
8.0000.6901.0002
8.0000.6901.0005
8.0000.6901.0010
8.0000.6901.0015

Female connector with coupling nut + single-ended

Cable: PUR, 10 x 0.14 mm² [AWG25] +
2 x 0.5 mm² [AWG20]
Housing: metal, IP67



pin socket assignment cw



suitable for our series with RS422 or SinCos output:

5000 / 5020 5803 / 5823
5804 / 5824 5805 / 5825
5814 / 5834 5814FSx / 5834FSx
A020 / A02H H120

Terminal assignment

Pin female contacts:	1	2	3	4	5	6	7	8	9	10	11	12	PH ²⁾
Wire colour:	PK	BN	BU	RD	GN	YE	-	GY	-	WH _{0.5 mm²}	WH	BN _{0.5 mm²}	PH ²⁾

Cable length¹⁾

2 m [6.56']
5 m [16.40']
10 m [32.81']
15 m [49.21']

8.0000.6101.0002
8.0000.6101.0005
8.0000.6101.0010
8.0000.6101.0015

1) Other cable lengths on request.
2) Shield on housing.

M23 connection technology Cordsets, pre-assembled

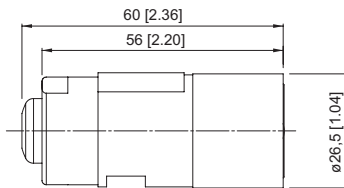
With connector, 12 pin Working temp. -30°C ... +80°C [-22°F ... +176°F] Order no.

Female connector with coupling nut + single-ended

Cable: PVC, 6 x 2 x 0.14 mm² [AWG25]
Housing: metal, IP67



pin socket assignment cw



suitable for our series with SSI or analogue output:

- 5850 / 5870 F5863 / F5883
- 5853 / 5873 5853FSx / 5873FSx
- 5863 / 5883 5863FSx / 5883FSx
- 9081

Terminal assignment

Pin female contacts:	1	2	3	4	5	6	7	8	9	10	11	12	PH ²⁾
Wire colour:	WH	BN	GN	YE	GY	PK	BU	RD	BK	VT	GY-PK	RD-BU	PH ²⁾

Cable length¹⁾

2 m [6.56']	8.0000.6901.0002.0031
5 m [16.40']	8.0000.6901.0005.0031
10 m [32.81']	8.0000.6901.0010.0031
15 m [49.21']	8.0000.6901.0015.0031

1) Other cable lengths on request.
2) Shield on housing.

Connection technology

M23 connection technology Cordsets, pre-assembled

With connector, 12 pin		Working temp. -30°C ... +80°C [-22°F ... +176°F]		Order no.
Female connector with coupling nut + male connector with external thread Cable: PVC, 6 x 2 x 0.14 mm ² [AWG25] Housing: metal, IP67	pin socket assignment cw	pin socket assignment ccw	suitable for our series: 5000 / 5020 5803 / 5823 5804 / 5824 5805 / 5825 5814 / 5834 5814FSx / 5834FSx A020 / A02H H120	
			Cable length ¹⁾ 2 m [6.56'] 5 m [16.40'] 10 m [32.81'] 15 m [49.21']	8.0000.6905.0002 8.0000.6905.0005 8.0000.6905.0010 8.0000.6905.0015
Female connector with coupling nut + male connector with external thread Cable: PVC, 6 x 2 x 0.14 mm ² [AWG25] Housing: metal, IP67	pin socket assignment cw	pin socket assignment ccw	suitable for our series with SSI output: 5850 / 5870 F5863 / F5883 5853 / 5873 5853FSx / 5873FSx 5863 / 5883 5863FSx / 5883FSx 9081	
			Cable length ¹⁾ 2 m [6.56'] 5 m [16.40'] 10 m [32.81'] 15 m [49.21']	8.0000.6905.0002.0032 8.0000.6905.0005.0032 8.0000.6905.0010.0032 8.0000.6905.0015.0032

Connection technology

1) Other cable lengths on request.
 2) Shield on housing.

M23 connection technology

Cordsets, pre-assembled

With connector, 17 pin

Working temp. -30°C ... +80°C [-22°F ... +176°F]

Order no.

Female connector with coupling nut + single-ended

Cable: PVC, 18 x 0.14 mm² [AWG25]
Housing: metal, IP67



pin socket assignment ccw



suitable for our series:

5850 / 5870
5852 / 5872

Terminal assignment

Cable length ¹⁾

Pin female contacts:	1	2	3	4	5	6	7	8	9	10	11	12	13	14	15	16	17
Wire colour:	WH	BN	GN	YE	GY	PK	BU	RD	BK	VT	GY-PK	RD-BU	WH-GN	BN-GN	WH-YE	YE-BN	WH-GY

2 m [6.56']
5 m [16.40']
10 m [32.81']
15 m [49.21']

8.0000.6741.0002
8.0000.6741.0005
8.0000.6741.0010
8.0000.6741.0015

1) Other cable lengths on request.